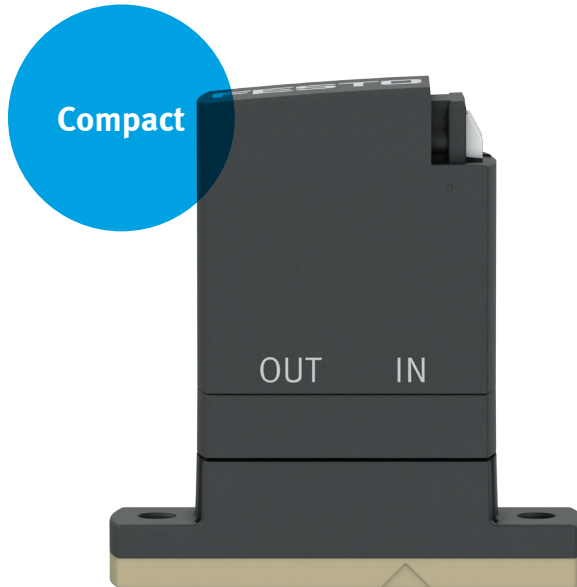


# Media separated solenoid valve VYKA

FESTO



## Extremely precise!

### Highlights

- Very compact: width 7 mm
- FDA listed materials
- Developed to ISO 13485
- Reliable media isolation:
  - Also for aggressive fluids
  - Very easy to clean
- Extremely flexible to use thanks to 3/2, 2/2 (NC/NO) variants and 12 ... 26 V DC actuation
- For dosing and continuous flow applications

Whether dosing or operation with continuous flows is what's needed, with the media separated solenoid valve VYKA you can do both!

This powerhouse allows you to dose very small quantities with very compact dimensions. Alternatively, you can take advantage of its uniquely impressive pressure and nominal width specifications and use it to control the media flow in a manifold duct plate, for example.

### Maximum performance density

Pressures of up to 2 bar and a Kv value of up to 350 ml/min are not a problem for this solenoid valve. The tiny 7 mm grid makes it suitable for a wide range of applications, e.g. for use with microwell plates.

### Media separation for reliable safety

The separating diaphragms made of high-performance polymers FKM and FFKM mean that the valve can even be used with aggressive media, providing protection whilst simultaneously preventing corrosion. Its low internal volume makes the valve very easy to

clean, which is ideal especially for highly sensitive applications.

### Flow regulation for high precision

The current control significantly improves the reproducibility of the switching behaviour compared to the voltage control. What's more, the holding current reduction of the plug-in electronics has a power consumption of 0.3 (hold), which prevents sensitive media from heating up.

### Highly versatile

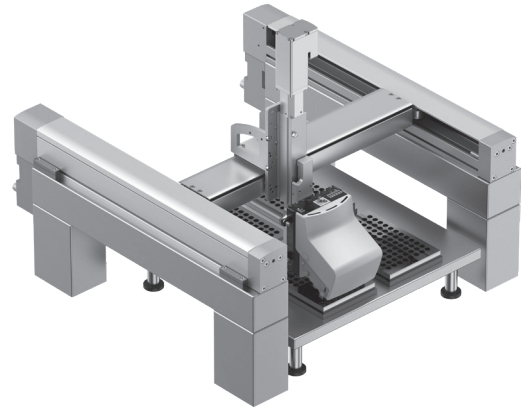
VYKA is extremely flexible in use thanks to 3/2, 2/2 (NC/NO) variants and 12 ... 26 V DC actuation.

# Media separated solenoid valve VYKA

## The choice is yours

### Ideal for the following applications

- Handling liquids, especially in laboratory automation and medical technology
- In vitro diagnostics
- High-precision filling applications with sensitive and aggressive media, e.g. in the perfume and aromatics industry or for packaging contact lenses
- Handling media in the semiconductor industry
- Printing applications



### Accessories

- Precise valve actuation with holding current reduction:
  - 1x (VAVE) or 8x (VAEM)
- Fluidic fitting NLFA for aggressive media
  - FDA listed materials (polypropylene)
  - For dosing nozzles and tubing
- PEEK connection module (VABS) M5 or UNF1/4-28



## Technical data

Key features	Values
Valve function	3/2, 2/2 NC, 2/2 NO
Width [mm]	7
Dimension for series connection [mm]	7.5
Pressure [bar]	0 ... 2
Nominal width [mm]	1.2
Kv value [l/min]	0.35
Power consumption (valve only) [W]	2.19/0.06 (peak/hold)
Power consumption (valve with electronics VAVE) [W]	3.53/0.23 (peak/hold)
Connections	Flange, UNF1/4-28, M5
Operating voltage [V]	12 ... 26 +/-10%
Seals	FKM, FFKM
Internal volume [µl]	20 (2/2), 22 (3/2)
Special features	FDA listed materials